

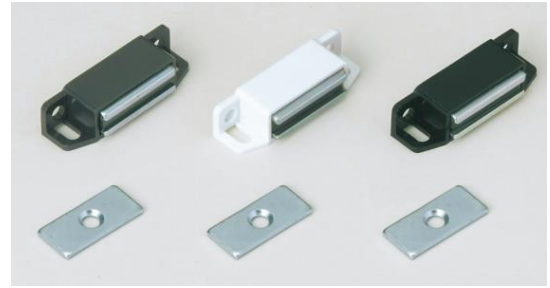
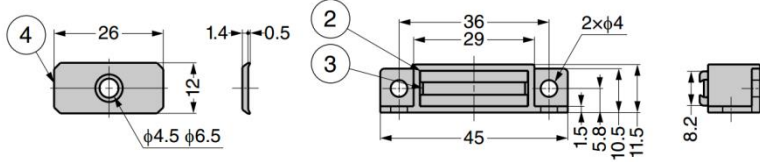
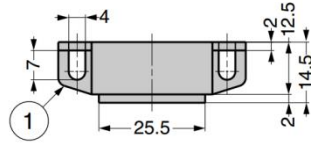
GMC0099 Magnetic Catch

Features

- Can be installed vertically or horizontally

Parts Included

- Counter plate **GSP0207**



Part No.	Colour	Magnetic Force	
GMC0099BP	Black	10.8 N	1.1 kg
GMC0099WP	White		
GMC0099SBP	Black	37.2 N	3.8 kg
GMC0099SWP	White		
GMC0099GP	Grey	51 N	5.2 kg

No.	Part Name	Material	Finish / Colour
①	Body	ABS	White, Black
		PC	Grey
②	Yoke	Steel (SPCC)	Coloured Zinc Chromate
③	Magnet	Ferrite	–
④	Counter Plate	Steel	Clear Zinc Chromate

GMC-110NF Strong Magnetic Catch

Features

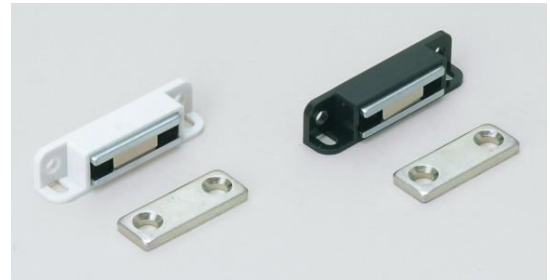
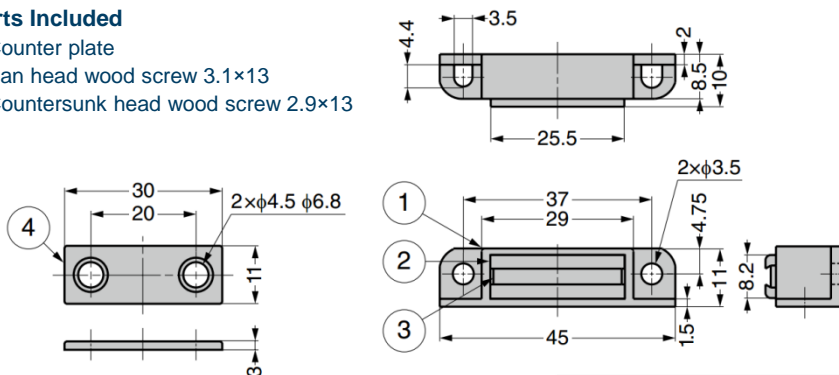
- Can be installed vertically or horizontally
- Small body with strong magnetic force

Notes

- Max. temperature: 80°C
- When adsorbing to sheet metal without using counter plate, the sheet thickness shall be 3 mm or more. Otherwise, the magnetic force decreases.

Parts Included

- Counter plate
- Pan head wood screw 3.1×13
- Countersunk head wood screw 2.9×13



Part No.	Colour	Magnetic Force	
GMC-110NF-WT	White	78.4 N	8 kg
GMC-110NF-GR	Grey		

No.	Part Name	Material	Finish / Colour
①	Body	PC	White/Grey
②	Yoke	Steel (SPCC)	Coloured Zinc Chromate (Trivalent)
③	Magnet	Neodymium	–
④	Counter Plate	Steel (SPCC)	Coloured Zinc Chromate (Trivalent)